

**12 SEAL WELDED BALL VALVES 3600 & 6000 WOG**

**SEAL WELDED BALL VALVES 3600 & 6000 WOG  
W36, W35, W60, & W65 SERIES**



High-pressure Seal Welded body design from 3600 WOG to 6000 WOG. Full port design 1/4"-1 1/2", Reduced port design available in 3/8", 1" & 2". Available with either Peek or Delrin seat configurations. All designs come standard with NACE Compliant, Fire Safe certified.

PRESSURE	MATERIAL	FIGURE NUMBER
3600	CF8M	W36
3600	WCB	W35
6000	CF8M	W60
6000	WCB	W65

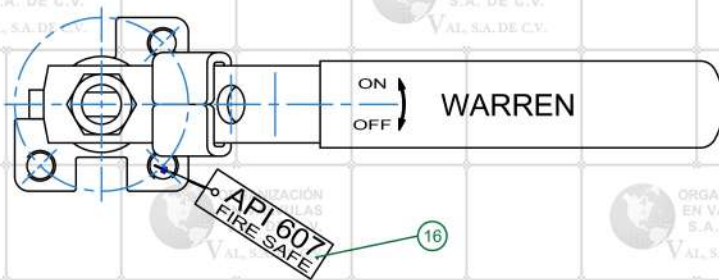
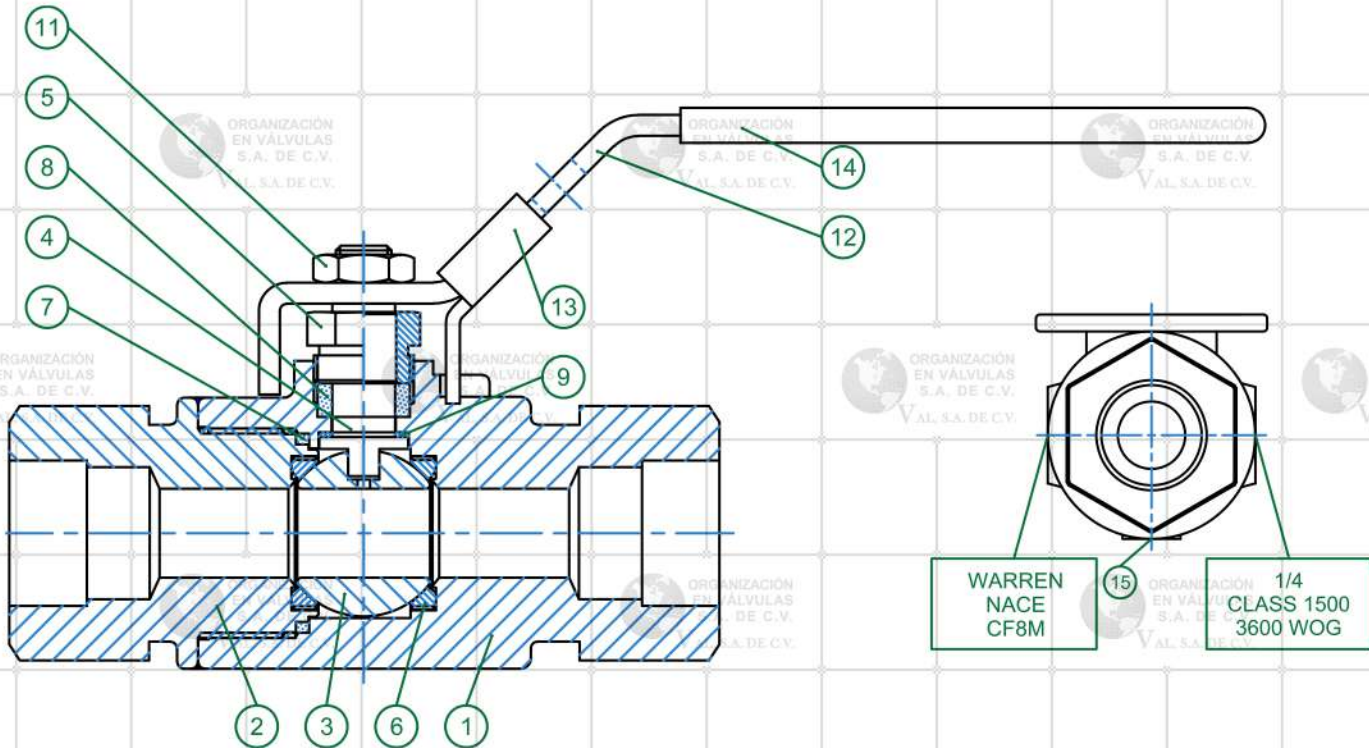
**W36 & W35 SERIES PRODUCT OVERVIEW**

<b>SIZE RANGE</b>	1/4" - 2"
<b>MATERIAL GRADES</b>	CF8M (W36) & WCB (W35)
<b>PRESSURE RANGE</b>	Class 1500 / 3600 WOG
<b>END CONFIGURATIONS</b>	Threaded & Socket Weld
<b>PORTS</b>	Reduced & Full
<b>SEATS</b>	Derlin & Peek
<b>FEATURES</b>	Seal Welded Construction, NACE Compliant, Fire Safe Certified, ISO Mounting Pad, Locking SS Handles

**W60 & W65 SERIES PRODUCT OVERVIEW**

<b>SIZE RANGE</b>	1/4" - 2"
<b>MATERIAL GRADES</b>	CF8M (W60) & WCB (W65)
<b>PRESSURE RANGE</b>	Class 2500 / 6000 WOG
<b>END CONFIGURATIONS</b>	Threaded & Socket Weld
<b>PORTS</b>	Reduced & Full
<b>SEATS</b>	Derlin & Peek
<b>FEATURES</b>	Seal Welded Construction, NACE Compliant, Fire Safe Certified, ISO Mounting Pad, Locking SS Handles

FIGURE NUMBERS W35, W36, W60 & W65

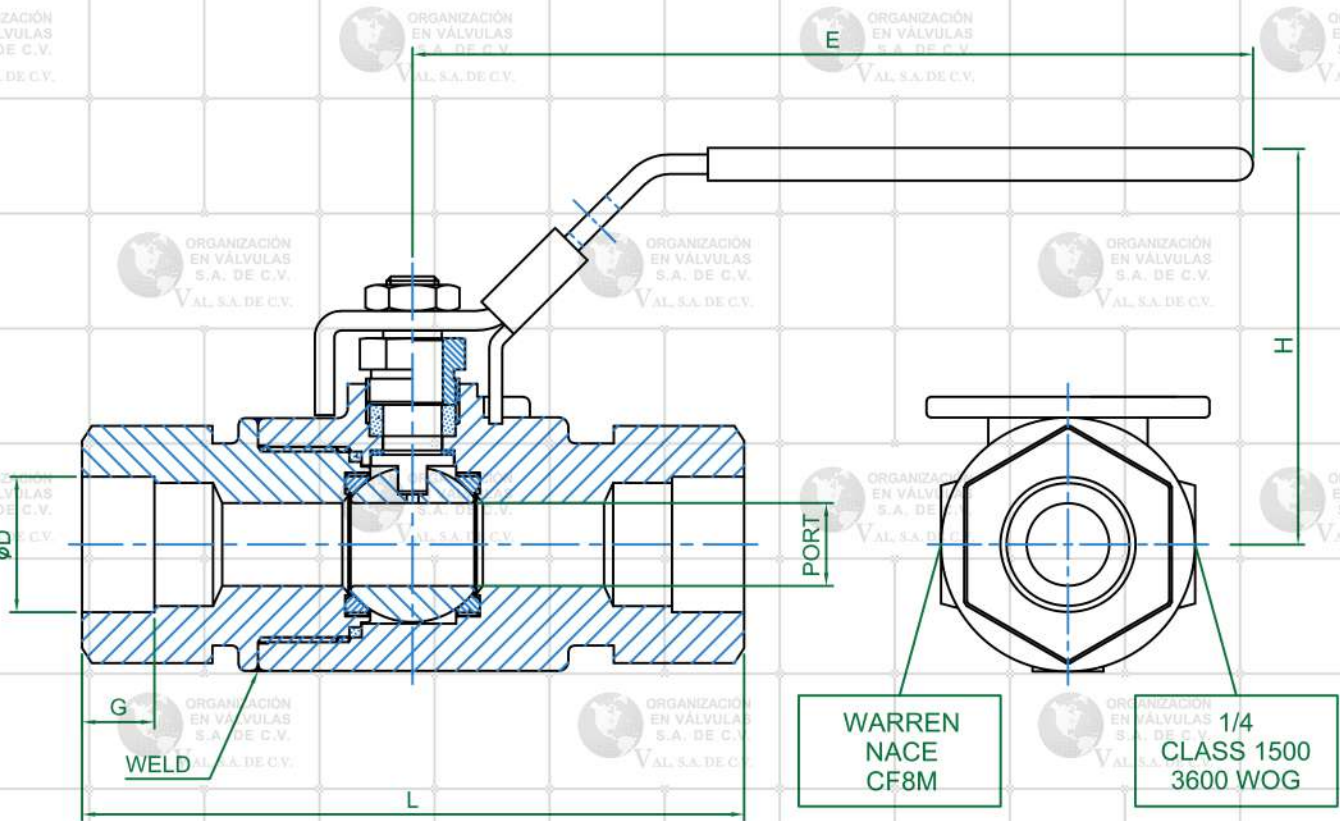


**MATERIAL LIST**

NO.	PART NAME	MATERIAL
		W36 & W60 / W35 & W65
1	BODY	ASTM A351-CF8M /A216-WCB
2	CAP	ASTM A351-CF8M /A216-WCB
3	BALL	ASTM A351-CF8M
4	STEM	ASTM A276-316
5	GLAND NUT	AISI SS316
6	SEAT	PEEK / Derlin
7	GASKET	GRAPHITE
8	STEM PACKING	GRAPHITE
9	THRUST WASHER	PEEK
11	NUT	AISI SS304
12	HANDLE	AISI SS304
13	LOCKING PAD	AISI SS304
14	HANDLE COVER	PLASTIC
15	NAME PLATE	ASTM A666 304
16	FIRE-SAFE TAG (API 607)	PAPER



**12 SEAL WELDED BALL VALVES 3600 & 6000 WOG**



**FIGURE NUMBERS W35 & W36**

SIZE	PORT	L	E	H	D	G	CV(GPM)	WEIGHT(LBS)	ISO5211
1/4"	0.252	2.99	5.12	2.44	0.56	0.39	6.1	1.55	F03
3/8"(RP)	0.252	2.99	5.12	2.44	0.69	0.39	6.1	1.50	F03
1/2"	0.50	4.00	5.12	2.44	0.87	0.39	26	1.72	F03
3/4"	0.75	4.25	5.71	2.99	1.08	0.51	61	3.09	F04
1"(RP)	0.75	4.25	5.71	2.99	1.34	0.51	51	2.83	F04
1"	1.00	4.50	10.00	3.78	1.34	0.51	114	4.46	F05
1-1/2"	1.51	5.29	13.78	4.67	1.92	0.51	272	11.56	F07
2"(RP)	1.51	6.25	13.78	4.67	2.41	0.63	229	12.88	F07

**FIGURE NUMBERS W65 & W60**

SIZE	PORT	L	E	H	D	G	CV(GPM)	WEIGHT(LBS)	ISO5211
1/4"	0.252	2.99	5.12	2.44	0.56	0.39	6.1	1.55	F03
3/8"(RP)	0.252	2.99	5.12	2.44	0.69	0.39	6.1	1.50	F03
1/2"	0.50	4.00	5.12	2.44	0.87	0.39	26	2.03	F03
3/4"	0.75	4.25	5.71	2.99	1.08	0.51	61	3.49	F04
1"(RP)	0.75	4.25	5.71	2.99	1.34	0.51	51	3.93	F04
1"	1.00	4.75	10.00	3.78	1.34	0.51	114	6.13	F05
1-1/2"	1.51	5.29	13.78	4.67	1.92	0.51	272	13.85	F07
2"(RP)	1.51	6.25	13.78	4.67	2.41	0.63	229	16.94	F07